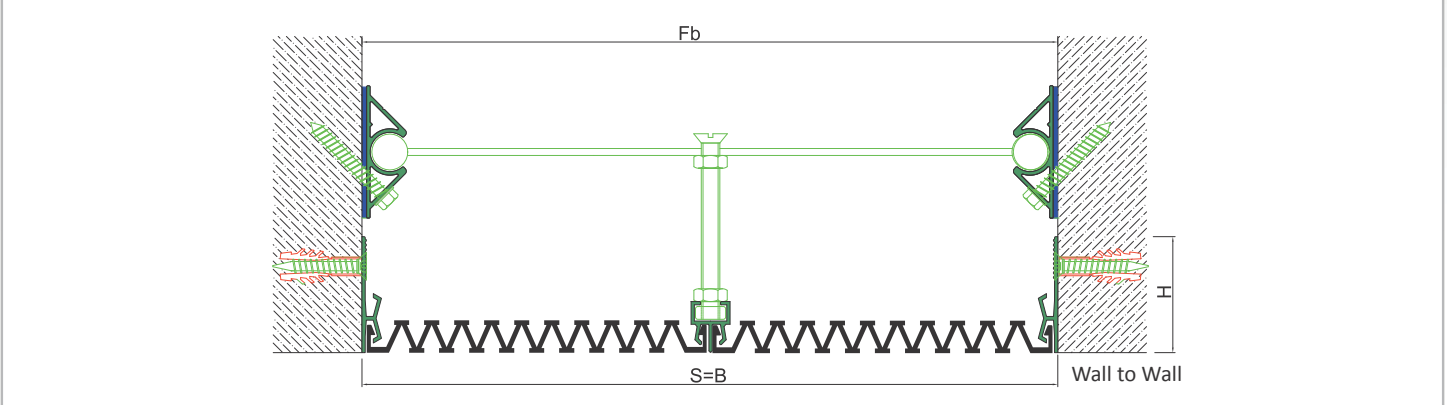
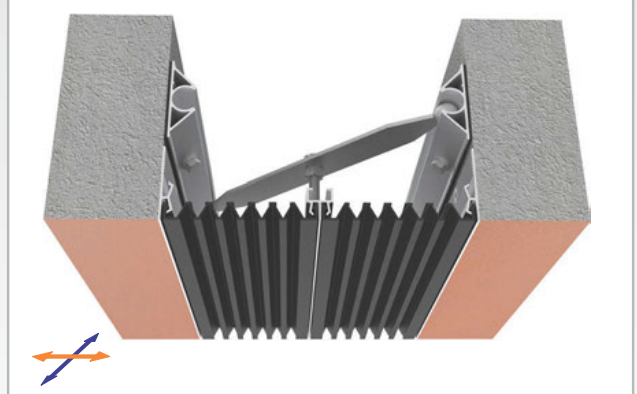
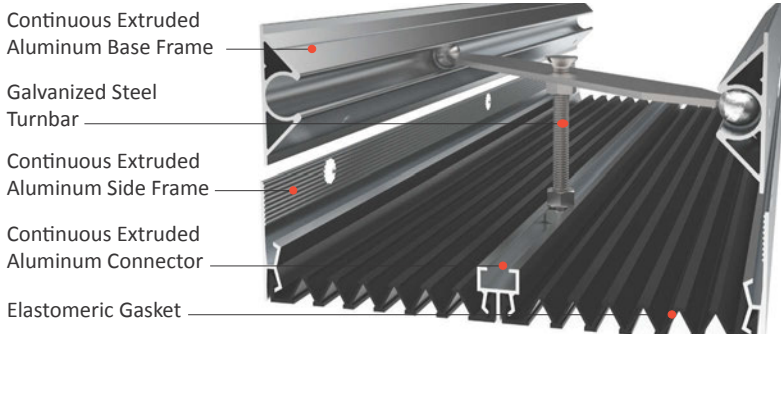




AS U119 flush mounted seismic profile is designed to meet multi-directional displacements at large openings. Turnbar system ensures the profile high movement ability. Highly recommended for the projects in which invisible screwing system and minimum aluminum view required. Excellent UV, Ozone and Oxidation resistance of elastomeric gasket makes the profile favorable for outdoor applications.

- Application Areas** : Indoor&Outdoor / Wall & Ceiling
- Ideal for** : Shopping Malls, Airports, Residences, Hospitals, Hotels, Commercial & Public Buildings etc.
- Material** : Mill Finish Aluminum (Anodizing optional), Galvanized Steel, EPDM (Only in Black Color) or TPE Gasket
- Aluminum Alloy** : 6063 AA-USA / EN AW 6063
- Optional Supplies** : Fire Barrier, Waterproof EPDM membrane

SEISMIC



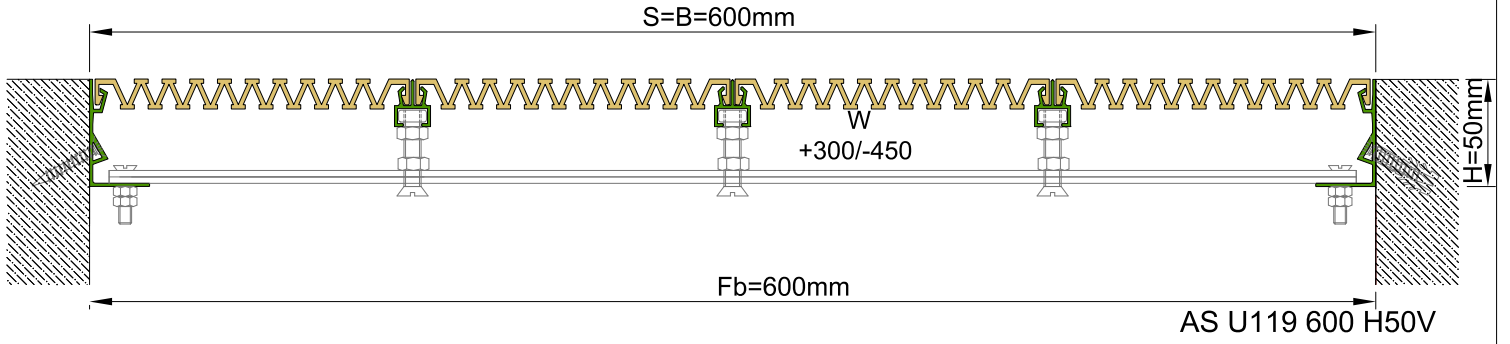
* Visuals are representative and the profile configuration may differ depending on the characteristics requested.

GASKET COLORS: **BLACK** / GREY / BEIGE / Custom Colors available.

LOCATION	MODEL	GAP (Fb) mm	HEIGHT (H) MM	OVERALL WIDTH (B) mm	VISIBLE WIDTH (S) mm	MOVEMENT (W) mm	LOAD CAPACITY	STANDARD LENGTH (mt)
Wall to Wall	AS U119-300	300	50	300	300	+125/-175	N/A	3
	AS U119-450	450	50	450	450	+200/-325	N/A	3
	AS U119-600	600	50	600	600	+300/-450	N/A	3

Note: Please ask for different sizes





Profil No Profile Number	AS U119 600 H50V	
Fb (mm)	600	
H (mm)	yaklaşık approx.	50
W± (mm)	yaklaşık approx.	+300/-450
Renk Color	Alüminyum: Natürel, Fitiller: Gri,diğer Aluminum: Natural, Inserts: Grey,others	
Malzeme Material	Alüminyum, Termoplastik Kauçuk Aluminum, Thermoplastic Rubber	
Standart Uzunluk Standard Length	3	